

# NITECORE®

ALL-ROUND Flashlight Expert

# P16 User Manual

## Features

- Premium CREE XM-L2 (U2) LED
- Maximum output of 960 lumens
- Integrated "Precision Digital Optics Technology" provides extreme reflector performance
- Boasts a peak beam intensity of 20,900cd and a throw distance of up to 289 meters
- High efficiency circuit board provides up to 520 hours runtime
- Side switch interface provides one-handed operation and easy access to all flashlight functions
- Side switch features a power indicator light displays remaining battery power (Patent No.ZL201220057767.4)
- Power indicator's secondary function displays battery voltage (accurate to 0.1V)
- Intelligent memory function stores preferred brightness setting
- Integrated impact resistance mechanism with reverse polarity protection (patented)
- Flashlight head retaining ring protects the core components from damage
- Toughened ultra-clear mineral glass with anti-reflective coating
- Constructed from aero grade aluminum alloy with HAIII military grade hard-anodized finish
- Waterproof in accordance with IPX8 (two meters submersible)
- Impact resistant to 1 meter
- Stainless steel titanium-plated two-way clip included
- Tail stand capability

## Dimensions

Length: 151mm (5.94")  
 Head Diameter: 40mm (1.57")  
 Tail Diameter: 25.4mm (1")  
 Weight: 136grams (4.80oz)(without battery)

## Accessories

Quality holster, clip, tactical ring, lanyard, spare tail cap, spare O-ring

## Battery Options

	SIZE	Nominal voltage	Compatible
Primary Lithium battery	CR123	3V	Y (Recommended)
18650 Rechargeable Li-ion battery	18650	3.7V	Y (Recommended)
Rechargeable Li-ion battery	RCR123	3.7V	Y

## Brightness & Runtime

FL1 STANDARD	HIGH	MID	LOW	LOWER	STROBE	SOS	Location Beacon
	960 LUMENS	230 LUMENS	65 LUMENS	1 LUMEN	960 LUMENS	960 LUMENS	960 LUMENS
	1h45min	5h30min	26h	520h	—	—	—
	289m	137m	64m	9m	—	—	—
	20900cd	4710cd	1000cd	23cd	—	—	—
	1m (Impact Resistant)						
	IPX8, 2m (Waterproof AND Submersible)						

## NOTICE

The above data has been measured in accordance with the international flashlight testing standards ANSI/NEMA FL1 using one x 3.7V 2600mAh 18650 battery under laboratory conditions. The data may vary slightly during real-world use due to battery type, individual usage habits and environmental factors.

## Operation instructions

### Battery installation

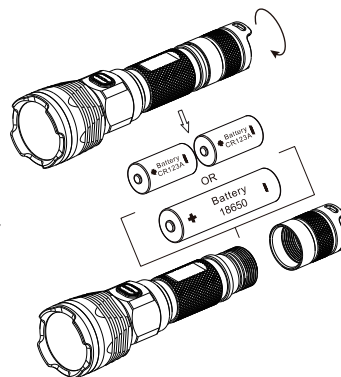
Insert one 18650 battery or two CR123 batteries with the positive pole pointing forward (toward the light head).

### WARNING

1. Ensure batteries are inserted with the positive (+) end pointing to the head. The P16 will not operate with incorrectly inserted batteries.
2. Ensure when turning the P16 on, the beam is directed away from the eyes of people or animals.

### Switching ON/OFF

To switch ON: Press the button on the tailcap until a "click" is heard.  
 To switch OFF: Press the button on the tailcap a second time until a "click" is heard.



## General Operations

With the light turned on, press the side switch in quick succession to cycle through the following brightness levels: ultra-low, low, medium and high. Once a desired setting is displayed, it may be saved by turning the light off at the tail switch.

**Note:** For user safety and to prevent overheating / failure, the P16 will automatically switch to a lower mode after three minutes of use at its highest level of output.

## Special Modes

With the light turned on, press and hold the side switch to activate Strobe mode. Press and hold once again to access Location Beacon mode and repeat once more for SOS mode. To exit any one of these modes simply press the side switch to be returned to your previously used brightness level.

**NB:** Strobe mode is the default special mode and is the only special mode that has a memory function. If the light is turned off at the tail switch while in strobe mode, strobe will resume when the light is next turned on. SOS and Location Beacon modes have no memory function.

## Power Tips

1. With the light switched on, the power indicator will blink once every two seconds when power levels reach 50%.
2. With the light switched on, the power indicator will blink rapidly when power levels are low.
3. With the light turned off, press and hold the side switch while simultaneously pressing the tail switch to display the battery voltage (accurate to ±0.1V) with a series of blinks. For example, when the battery voltage is at a maximum charge of 4.2V, the power indicator will blink 4 times in quick succession, followed by a one second pause and two more blinks, indicating a total battery voltage of 4.2V.

## Changing Batteries

When the power indicator blinks rapidly this indicates the batteries need to be replaced. Alternatively if the light becomes dim or unresponsive to adjustment this also indicates batteries need to be replaced.

## Maintenance

Every 6 months, threads should be wiped with a clean cloth followed by a thin coating of silicon-based lubricant.

## Warranty Details

Our authorized dealers and distributors are responsible for warranty service. Should any problem covered under warranty occurs, customers can contact their dealers or distributors in regards to their warranty claims, as long as the product was purchased from an authorized dealer or distributor. NITECORE's Warranty is provided only for products purchased from an authorized source. This applies to all NITECORE products.

Any DOA / defective product can be exchanged for a replacement through a local distributor/dealer within the 15 days of purchase. After 15 days, all defective / malfunctioning NITECORE® products can be repaired free of charge for a period of 60 months (5 years) from the date of purchase. Beyond 60 months (5 years), a limited warranty applies, covering the cost of labor and maintenance, but not the cost of accessories or replacement parts.

The warranty is nullified if the product(s) is/are broken down, reconstructed and/or modified by unauthorized parties, or damaged by batteries leakage.

For the latest information on NITECORE® products and services, please contact a local NITECORE® distributor or send an email to [service@nitecore.com](mailto:service@nitecore.com).

※All images, text and statements specified herein this user manual are for reference purpose only. Should any discrepancy occurs between this manual and information specified on [www.nitecore.com](http://www.nitecore.com). Sysmax Industry Co., Ltd. reserves the rights to interpret and amend the content of this document at any time without prior notice.

**SYSMAX Ind.**  
 SYSMAX Industry Co., Ltd.  
 TEL: +86-20-83862000  
 FAX: +86-20-83882723  
 E-mail: [info@nitecore.com](mailto:info@nitecore.com)  
 Web: [www.nitecore.com](http://www.nitecore.com)  
 Address: Rm 2601-06, Central Tower, No.5 Xiancun Road, Tianhe District, Guangzhou, 510623, Guangdong, China

Please find us on facebook:  
 NITECORE Flashlight



P11021618  
 Made in China

Thanks for purchasing NITECORE!