

Features

- Featuring five individual light sources: two main LEDs plus secondary red, green and blue LEDs.
- Four selectable modes of output (red, green, blue and white)
- Dual side switches offer increased control of color modes
- Purpose-designed for law enforcement, hunting and tactical applications
- White light mode is powered by a premium CREE XP-G2(R5) LED, providing up to 440 lumens of output
- Up to 400 hours runtime on low
- Integrated "Precision Digital Optics Technology" provides extreme reflector performance
- Equipped with a unique multi-colored (red, green and blue) signaling mode
- Dual side switches control white and colored LEDs independently.
- Side switch features integrated power indicator light for displaying remaining battery power (patented)
- Instant-start - enter turbo mode directly
- Physical reverse polarity protection mechanism (patented)
- Stainless steel titanium-plated clip
- Stainless steel retaining ring protects the core components from damage
- Toughened ultra-clear mineral glass with anti-reflective coating
- Constructed from aero-grade aluminum alloy
- HAIII military grade hard-anodized finish
- Waterproof in accordance with IPX-8 (two meters submersible)
- Impact resistant to 1.5 meters
- Tail stand capability

Dimensions

Length: 143mm (5.63")
 Head Diameter: 40mm (1.57")
 Tail Diameter: 25.4mm (1")
 Weight: 138grams (4.87oz)(without battery)

Accessories

Quality holster, clip, tactical ring, lanyard, spare tail cap, spare O-ring

Optional accessories

Remote switch (RSW1), Gun Mount (GM02, GM03, GM04)

Battery Options

	SIZE	Nominal voltage	Compatible
Primary Lithium battery	CR123	3V	Y (Recommended)
18650 Rechargeable Li-ion battery	18650	3.7V	Y (Recommended)
Rechargeable Li-ion battery	RCR123	3.7V	Y

Brightness & Runtime

CR6: Main red light mode is powered by a premium CREE XP-E(R2) LED

FL1 STANDARD	White Light TURBO	White Light HIGH	White Light MID	White Light LOW	White Light LOWER	Red Light HIGH	Red Light MID	Red Light LOW
	440 LUMENS	280 LUMENS	160 LUMENS	25 LUMENS	1 LUMENS	120 LUMENS	45 LUMENS	12 LUMENS
	1h45min	3h30min	7h	43h	400h	4h30min	15h	55h
	1h45min	2h45min	5h45min	32h	260h	3h15min	11h	37h
	190m (Beam Distance)				150m (Beam Distance)			
	9000cd (Peak Beam Intensity)				5700cd (Peak Beam Intensity)			
	1.5m (Impact Resistant)							
	IPX-8, 2m (Waterproof AND Submersible)							

CG6: Main green light mode is powered by a premium CREE XP-E(G2) LED

FL1 STANDARD	White Light TURBO	White Light HIGH	White Light MID	White Light LOW	White Light LOWER	Green Light HIGH	Green Light MID	Green Light LOW
	440 LUMENS	280 LUMENS	160 LUMENS	25 LUMENS	1 LUMENS	185 LUMENS	90 LUMENS	30 LUMENS
	1h45min	3h30min	7h	43h	400h	2h45min	10h	45h
	1h45min	2h45min	5h45min	32h	260h	2h	7h	31h
	190m (Beam Distance)				170m (Beam Distance)			
	9000cd (Peak Beam Intensity)				7250cd (Peak Beam Intensity)			
	1.5m (Impact Resistant)							
	IPX-8, 2m (Waterproof AND Submersible)							

CB6: Main blue light modes is powered by a premium CREE XP-E(D4) LED

FL1 STANDARD	White Light TURBO	White Light HIGH	White Light MID	White Light LOW	White Light LOWER	Blue Light HIGH	Blue Light MID	Blue Light LOW
	440 LUMENS	280 LUMENS	160 LUMENS	25 LUMENS	1 LUMENS	35 LUMENS	15 LUMENS	3 LUMENS
	1h45min	3h30min	7h	43h	400h	2h45min	11h	45h
	1h45min	2h45min	5h45min	32h	260h	2h	8h	33h
	190m (Beam Distance)				66m (Beam Distance)			
	9000cd (Peak Beam Intensity)				1100cd (Peak Beam Intensity)			
	1.5m (Impact Resistant)							
	IPX-8, 2m (Waterproof AND Submersible)							

NOTICE

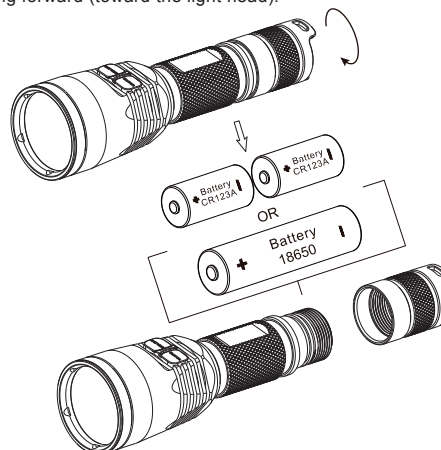
The above data has been measured in accordance with the international flashlight testing standards ANSI/NEMA FL1 using one x 3.7V 2600mAh Nitecore 18650 battery and 2 x 3V 1550mAh Nitecore CR123 batteries under laboratory conditions. The data may vary slightly during real-world use due to battery type, individual usage habits and environmental factors.

NITECORE (SYSMAX) is a member of PLATO, participating in and helping to develop the ANSI FL1 standard of measurement. Product testing data is in accordance with these internationally recognized scientific standards.

Operation Instructions

Battery Installation

Insert one 18650 battery or two CR123 / RCR123 batteries with the positive pole pointing forward (toward the light head).



WARNING

1. Ensure batteries are inserted with the positive (+) end pointing to the head. The Chameleon will not operate with incorrectly inserted batteries.
2. Ensure when turning the Chameleon on, the beam is directed away from the eyes of people or animals.

Momentary Illumination

Momentary illumination can be achieved by switching off the flashlight and then half pressing and holding the tail switch. Simply release the switch to turn the light off.

Switching ON/OFF

To switch ON: Press the button on the tailcap until a "click" is heard.

To switch OFF: Press the button on the tailcap a second time until a "click" is heard.

Brightness Selection

Two side switches control the two main LEDs as well as strobe / SOS modes.

With the light turned on at the tailcap, press the left switch repeatedly to cycle through the following WHITE LED brightness levels: ultra-low, low, medium, high and turbo. Once a desired setting is displayed, it will be saved by turning the light off at the tail switch.

With the light turned on at the tailcap, press the right switch repeatedly to cycle through the following COLORED LED brightness levels: main color low -> main color medium -> main color high -> secondary red -> secondary green -> secondary blue. Once a desired setting is displayed, it will be saved by turning the light off at the tail switch.

NITECORE®

The All-Round Flashlight Expert

Instant High Mode

With the light turned off, press and hold the side control switch all the way down then press the tail switch to go directly to turbo or high (main color) mode. This feature will assist in directly switching to the highest modes of output for emergency situations.

NOTE: When using two CR123 batteries, the light will automatically lower its output after 20 minutes to prevent overheating and battery damage.

Strobe, Beacon and Signal Modes

With the light turned on, press and hold the left (white) switch all the way down for more than 1 second to cycle through the following modes: strobe mode -> location beacon -> SOS.

With the light turned on, press and hold the right switch (colored) all the way down for more than 1 second to active police warning signal. Press the switch again to turn this mode off.

NOTE: Among all special modes, only strobe mode can be saved.

Power Tips

1. With the light switched on, the power indicator on brightness adjustment button will blink once every two seconds when power levels reach 50%.
2. With the light switched on, the power indicator on brightness adjustment button will blink rapidly when power levels are low.

Changing Batteries

When the power indicator blinks rapidly this indicates the batteries need to be replaced. Alternatively if the light becomes dim or unresponsive to adjustment this also indicates batteries need to be replaced.

Maintenance

Every 6 months, threads should be wiped with a clean cloth followed by a thin coating of silicon-based lubricant.

Warranty Service

All NITECORE® products are warranted for quality. DOA / defective products can be exchanged for replacement through a local distributor/dealer within the 14 days of purchase. After 14 days, all defective / malfunctioning NITECORE® products will be repaired free of charge for a period of 18 months from the date of purchase. After 18 months, a limited warranty applies, covering the cost of labor and maintenance, but not the cost of accessories or replacement parts. The warranty is nullified in all of the following situations:

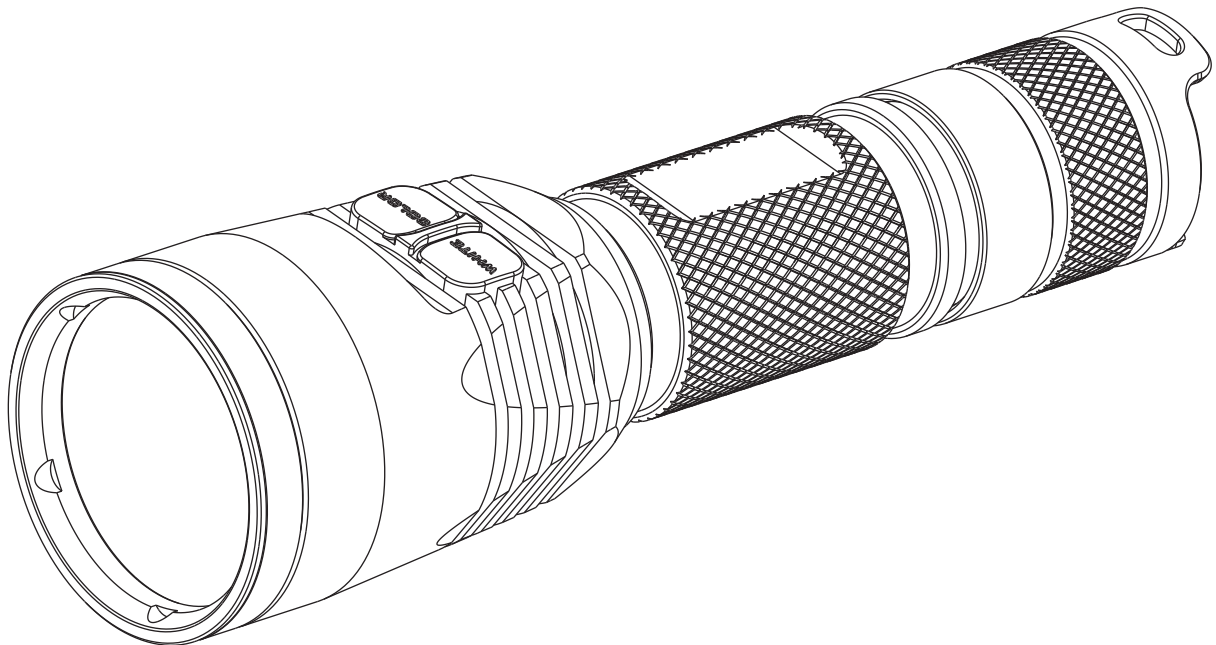
1. The product(s) is/are broken down, reconstructed and/or modified by unauthorized parties.
2. The product(s) is/are damaged through improper use.
3. The product(s) is/are damaged by leakage of batteries.

For the latest information on NITECORE® products and services, please contact your national NITECORE® distributor or send an email to service@nitecore.com

The Nitecore official website shall prevail in case of any product data changes.



Please follow our facebook for more info: NITECORE Flashlights



SYSMAX ind.

SYSMAX Industry Co., Ltd.

TEL: +86-20-83862000

FAX: +86-20-83882723

E-mail: info@nitecore.com

Web: www.nitecore.com

Address: Rm1407-08, Glorious Tower, 850 East Dongfeng Road, Guangzhou, China 510600

20131028

