

## Features

- LED Premium CREE XM-L2 T6 LED
- Maximum output of up to 960 lumens
- High efficiency current circuit board
- Maximum runtime of up to 45 hours
- Two rapid switching modes suit various user requirements.
- User-defined mode allows for customized brightness levels and a multitude of functions
- Intelligent memory functions
- Anti-rolling design
- Reverse polarity protection
- Broad voltage drive circuit, compatible with rechargeable and non-rechargeable Li-ion batteries.
- Toughened ultra-clear mineral glass with anti-reflective coating
- Aluminum reflector ensures a smooth and powerful beam
- Aero grade aluminum alloy
- HA III Military grade hard anodized
- Detachable two-way anti-rolling clip
- Purpose-made rhombic knurling for better grip
- IPX-8 standard waterproof (submersible to two meters)

## Dimensions

Length: 149mm (5.87")  
 Head Diameter: 34mm (1.34")  
 Tail Diameter: 25.4mm (1")  
 Weight: 133grams (4.7oz)(without battery)

## Accessories

Clip, tactical ring, lanyard, quality holster, spare plastic cap, and spare O-ring

## Battery Options

	SIZE	Nominal voltage	Compatible
Primary Lithium battery	CR123	3V	Y (Recommended)
18650 Rechargeable Li-ion battery	18650	3.7V	Y (Recommended)
Rechargeable Li-ion battery	RCR123	3.7V	Y

## Brightness & Runtime

FL1 STANDARD	TURBO	HIGH	MID	LOW
	<b>960</b> LUMENS	<b>275</b> LUMENS	<b>85</b> LUMENS	<b>28</b> LUMENS
	<b>2h</b>	<b>5h</b>	<b>17h</b> <b>30min</b>	<b>45h</b>
	<b>1h40min</b>	<b>3h50min</b>	<b>13h</b>	<b>31h</b>
	<b>256m (Beam Distance)</b>			
	<b>16400cd (Peak Beam Intensity)</b>			
	<b>1.5m (Impact Resistant)</b>			
	<b>IPX-8, 2m (Waterproof AND Submersible)</b>			

### NOTICE

Stated data has been measured according to the international flashlight testing standards ANSI/NEMA FL1 using a quality NITECORE 18650 (3.7V 2600mAh) battery or two SYSMAX CR123 (3V 1550mAh) batteries under laboratory conditions. The data may vary due to individual usage habits and environmental conditions.

NITECORE (SYSMAX) is a member of PLATO, participating in and helping to develop the ANSI FL1 standard of measurement. Product testing data is in accordance with these internationally recognized scientific standards.

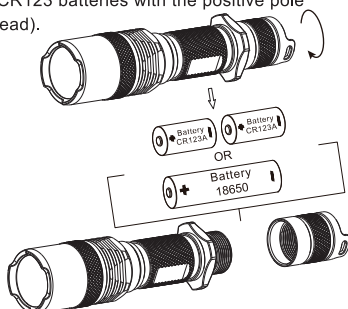
## Operation instructions

### Battery installation (as the picture shows)

1. Unscrew the tail cap in a counter-clockwise direction.
2. Insert one 18650 battery or two CR123 batteries with the positive pole pointing forward (toward the light head).

### WARNING

Ensure batteries are inserted with the positive (+) end pointing to the head. The MT26 will not operate with incorrectly inserted batteries.



## Switching ON/OFF

Switch ON: Press the button on the tailcap until a "click" is heard.

Switch OFF: Press the button at the tailcap until a second "click" is heard.

## Mode Switching

The Nitecore MT26 has two modes: Turbo and user-defined. These two modes can be changed by simply tightening and loosening the flashlight head. Turbo provides 100% output while user-defined modes contain five selectable sub-modes.

## Turbo Mode

Turbo mode is accessed when the MT26 flashlight is switched ON and the head lightly tightened. While in this mode, momentary illumination can be achieved by switching off the flashlight and then half pressing and holding the switch. Momentary illumination can be used as a flashing signal indicator or applied to various tactical applications.

**Note:** After three minutes' using of turbo mode, the flashlight will lower its output automatically for preventing overheating, and efficiently ensure the battery runtime.

## User-Defined Mode

User-defined mode is accessed by slightly loosening the flashlight head. In this mode, lightly and rapidly pressing the switch will cycle through brightness and other functions in the following order: "High-Mid-Low- SOS-Strobe". Pressing the switch all the way down will save and memorize a desired setting.

**Tips: Make NITECORE MT26 your perfect multi-task flashlight.**

NITECORE MT26 flashlights essentially have two modes: Turbo mode (100% output) and custom mode. Turbo mode is accessed by tightening the flashlight head while any of one of the four customizable modes (strobe, low, medium and high) are selected by loosening the head and rapidly pressing the on/off switch to cycle through the modes. A given mode can be saved by simply turning off the light while in that mode. Real-world examples include: When used as a flashlight around the home, the head can be loosened and low level selected in custom mode, providing long runtimes at a lower light intensity. The same flashlight could then be taken out and used as a law-enforcement duty light, with user-defined mode set in strobe, making it easy to alternate between turbo mode and strobe with a simple twist of the flashlight head.

## Maintenance

Every 6 months, threads should be wiped with a clean cloth followed by a thin coating of silicon-based lubricant.

## Warranty Service

All NITECORE® products are warranted for quality. DOA / defective products can be exchanged for replacement though a local distributor/dealer within the 14 days of purchase. After 14 days, all defective / malfunctioning NITECORE® products will be repaired free of charge for a period of 18 months from the date of purchase. After 18 months, a limited warranty applies, covering the cost of labor and maintenance, but not the cost of accessories or replacement parts. The warranty is nullified in all of the following situations:

1. The product(s) is/are broken down, reconstructed and/or modified by unauthorized parties.
2. The product(s) is/are damaged through improper use.
3. The product(s) is/are damaged by leakage of batteries.

For the latest information on NITECORE® products and services, please contact your national NITECORE® distributor or send an email to [service@nitecore.com](mailto:service@nitecore.com)

Please follow our facebook for more info: NITECORE Flashlights

**SYSMAX Ind.**  
 SYSMAX Industry Co., Ltd.

TEL: +86-20-83862000

FAX: +86-20-83882723

E-mail: [info@nitecore.com](mailto:info@nitecore.com)

Web: [www.nitecore.com](http://www.nitecore.com)

Address: Rm1407-08, Glorious Tower, 850 East Dongfeng Road, Guangzhou, China 510600

