

# NITECORE®

The All-Round Flashlight Expert

# P25 SMILODON

## User Manual

### Features

- Premium CREE XM-L2 U2 LED
- Maximum output of 960 lumens
- Integrated "Precision Digital Optics Technology" provides extreme reflector performance
- Boasts a peak beam intensity of 24,000cd and a throw distance of up to 310 meters
- High efficiency circuit board provides up to 325 hours runtime
- Integrated dual Picatinny connectors / rails provide a huge variety of mounting options
- Innovative single button two-stage switch offers a user-friendly interface (patented)
- Intelligent charging circuit with voltage detection charges safely and rapidly
- Integrated micro USB charging port is water, dust and impact resistant
- Eight rapidly switchable brightness levels to select from
- Integrated power indicator light displays remaining battery power (patented)
- Power indicator's secondary function displays battery voltage (accurate to 0.1V)
- Intelligent charging circuit with voltage detection charges rapidly and safely
- Intelligent memory function stores preferred brightness setting
- Integrated spring-loaded impact absorption mechanism featuring reverse polarity protection (patented)
- Stainless steel titanium-plated two-way clip
- Stainless steel retaining ring protects the core components from damage
- Toughened ultra-clear mineral glass with anti-reflective coating
- Constructed from aero grade aluminum alloy
- Sturdy HAIII military grade hard-anodized
- Waterproof in accordance with IPX8 (two meters submersible)
- Impact resistant to 1.5 meters
- Tail stand capability

### Dimensions

Length: 160mm (6.3")  
 Head diameter: 40 mm (1.57")  
 Tube diameter: 25.4mm (1")  
 Weight: 171g (6oz)(without battery)

### Accessories

Quality holster, clip, tactical ring, lanyard, USB cable, spare tail cap and spare O-ring

### Battery Options

	SIZE	Nominal voltage	Compatible
18650 Rechargeable Li-ion battery	18650	3.7V	Yes (Compatible and can be recharged)
Primary Lithium battery *	CR123	3V	Yes (Compatible but can <b>NOT</b> be recharged)
Rechargeable Li-ion battery *	RCR123	3.7V	Yes (Compatible but can <b>NOT</b> be recharged)

**Warning:** USB cable / charging function is for use with 18650 rechargeable li-ion batteries only. Do not attempt to charge non-rechargeable batteries such as CR123 or other types of rechargeable cells such as RCR123 batteries.

### Output & Runtime

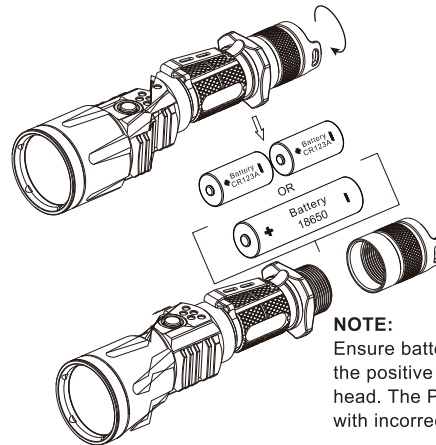
FL 1 STANDARD	TURBO	HIGH	MID	LOW	LOWER	STROBE	SOS	Location Beacon
	960 LUMENS	605 LUMENS	198 LUMENS	55 LUMENS	2 LUMENS	960 LUMENS	960 LUMENS	960 LUMENS
	1h45min	2h	7h	30h	325h	—	—	—
	1h15min	1h30min	5h15min	21h	200h	—	—	—
	310m	216m	120m	62m	11m	—	—	—
	24000cd	11700cd	3600cd	980cd	30cd	—	—	—
	1.5m (Impact Resistant)							
	IPX8, 2m (Waterproof AND Submersible)							

#### NOTICE

The above data has been measured in accordance with the international flashlight testing standards ANSI/NEMA FL1 using one x 3.7V 2600mAh Nitecore 18650 battery and 2 x 3V 1550mAh Nitecore CR123 batteries under laboratory conditions. The data may vary slightly during real-world use due to battery type, individual usage habits and environmental factors.

### Battery Installation

Insert one 18650 battery or two CR123 batteries with the positive pole pointing forward (toward the light head).



#### NOTE:

Ensure batteries are inserted with the positive (+) end pointing to the head. The P25 will not operate with incorrectly inserted batteries.

### Switching ON/OFF

To switch ON: Press the button on the tailcap until a "click" is heard.  
 To switch OFF: Press the button on the tailcap a second time until a "click" is heard.

### Momentary Illumination

Momentary illumination can be achieved by switching off the flashlight and then half pressing and holding the tail switch. Release to turn the light off.

Thanks for purchasing NITECORE!

# NITECORE®

The All-Round Flashlight Expert

## General Operation

1. The P25 utilizes a 2-stage switch similar to a camera shutter button. The light's numerous functions are selected according to the depth the switch is pressed.
2. With the light turned on, press the switch partway down in quick succession to cycle through the brightness levels: ultra-low, low, medium, high, and ultra high.

### Operating in Turbo Mode:

With the light turned on, press the switch partway down and hold to activate turbo mode.

**Note:** For user safety and to prevent overheating / failure, the P25 will automatically switch to high mode after twenty minutes of use in Turbo mode. Press the switch partway and hold to reactivate turbo mode when needed.

## Standby Mode

With the light turned on or in the standby mode, press the switch all the way down and release within one second to enter into standby mode. In this mode, the light will consume small amounts of power to maintain the settings in the MCU (micro control unit) but appear to be turned off. When in standby mode the power indicator light will flash once every two seconds to show the location of the light. To exit standby mode, simply press the two-stage switch all the way down or press the tail switch to turn the light off.

### Tips:

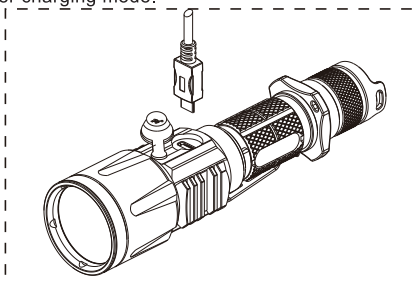
When in standby mode, the P25 can also be used as a side-switch flashlight, all functions and brightness levels can be easily accessed via the 2-stage switch.

## Special Strobe / SOS mode and Location Beacon

With the light turned on, press the switch all the way down and hold to enter strobe mode. When in strobe mode, press the switch partway down to cycle through SOS, location beacon and strobe modes. To select any of these modes simply release the switch when it is displayed. To turn off the light (enter into standby mode) fully press and release the switch.

## Charging Function

The P25 is capable of charging a protected 18650 li-ion battery via the included USB cable. Simply install a protected 18650 li-ion cell, plugging one end of the USB cable into the flashlight and the other end into a universal USB port / adaptor as shown in the adjacent image, and the P25 will take care of the rest. The P25 needs to be turned on in order enter charging mode.



## Charging Indicator Light

1. Fully charging a depleted 18650 battery takes approximately 6 hours.
2. Under normal charging conditions, the blue indicator light will blink once every 0.5 second.
3. If a problem is detected during the charging process, the P25 will stop charging and the blue indicator will blink rapidly. This is usually caused by a faulty / incorrectly inserted battery, or if the light has not been turned on using the tail cap switch.

4. The P25 is equipped with an intelligent charging circuit that detects when an 18650 battery is fully charged and terminates the charging current. The P25's blue indicator light will illuminate steadily when a battery is fully charged.

### Tips:

The P25 needs to be turned on using the tail cap switch in order enter charging mode.

### Warning:

USB charging functionality is designed for 18650 rechargeable li-ion only. Do not attempt to charge non-rechargeable batteries such as CR123 or other types of rechargeable cells such as RCR123 batteries.

## Power Tips

1. With the light switched on, the power indicator will blink once every two seconds when power levels reach 50%.
2. With the light switched on, the power indicator will blink rapidly when power levels are low.
3. Half press the switch when the light is put into standby mode or under charging mode, the power indicator light will blink in various patterns to indicate the battery voltage (accurate to  $\pm 0.1V$ ). For example, when the battery voltage is at a maximum charge of 4.2V, the power indicator will blink 4 times in quick succession, followed by a one second pause and two more blinks, indicating a total battery voltage of 4.2V.

## Changing / Charging Batteries

When the power indicator blinks rapidly it means the batteries need to be replaced or recharged. Alternatively if the light becomes dim or unresponsive to adjustment this also indicates batteries need to be replaced or recharged.

## Maintenance

Every 6 months, threads should be wiped with a clean cloth followed by a thin coating of silicon-based lubricant.

## Warranty Service

All NITECORE® products are warranted for quality. Any defective / malfunctioning NITECORE® product can be repaired free of charge for a period of 60 months (5 years) from the date of purchase. Beyond 60 months (5 years), a limited warranty applies, covering the cost of labor and maintenance, but not the cost of accessories or replacement parts. The warranty is nullified in all of the following situations:

1. The product(s) is/are broken down, reconstructed and/or modified by unauthorized parties.
2. The product(s) is/are damaged through improper use.
3. The product(s) is/are damaged by leakage of batteries.

For the latest information on NITECORE® products and services, please contact a local NITECORE® distributor or send an email to [service@nitecore.com](mailto:service@nitecore.com)

※ All images, text and statements specified herein this user manual are for reference purpose only. Should any discrepancy occurs between this manual and information specified on [www.nitecore.com](http://www.nitecore.com), information on our official website shall prevail. Sysmax Industry Co., Ltd. reserves the rights to interpret and amend the content of this document at any time without prior notice.

**SYSMAX ind.**

SYSMAX Industry Co., Ltd.

TEL: +86-20-83862000

FAX: +86-20-83882723

E-mail: [info@nitecore.com](mailto:info@nitecore.com)

Web: [www.nitecore.com](http://www.nitecore.com)

Address: Rm 2601-06, Central Tower, No.5 Xiancun Road, Tianhe District, Guangzhou, 510623, Guangdong, China

Please find us on facebook:  
Nitecore Flashlight



20171030

Thanks for purchasing NITECORE!