

产品特性

- 5光源战术手电筒,紫外线和白光组合设计,专业应用于检测伪造文件,伪造纸币和用于法医调查、石油巡检、鉴赏琥珀、宝石等用途
- 5种颜色9种亮度及4个特殊档位自由选择,双键控制
- 白光采用CREE XP-G2 (R5级) LED
紫外线采用大功率紫外LED (3000mW, 波长365nm)
- 最高440流明超强亮度输出
- 长达400小时的最长续航时间
- 采用晶光电镀技术结合PDOT数字精确优化技术制造的最优化光学系统
- 自带红绿蓝三色照明/信号灯功能
- 为战术应用设计的两个侧键分别独立控制两个主灯,操作简便
- 侧键按钮内藏电量指示灯,可以提示电池剩余电量
- 即时开启所需高亮光源,心随所动
- 抗冲击防反接设计(受专利保护)
- 配备可双向安装的不锈钢镀钛抱夹
- 头部配备保护环,保护电筒核心原件不受损坏
- 双面镀膜防刮光学镜片
- 航太级铝合金制造
- 耐磨的军规三级硬化表面处理
- 符合IPX8防水标准(水下2米)
- 1米防摔能力
- 尾部倒立功能

体积

- 长度: 143mm
头部直径: 40mm
尾部直径: 25.4mm
重量: 138克(不含电池)

配件

- 优质电筒套,抱夹,战术胶环,手绳,
备用胶帽,备用防水O圈
可选配件:
线控开关RSW1,枪夹GM02(GM03, GM04)

选用电池

	尺寸规格	标称电压	是否可用
18650锂电池	18650	3.7V	是(推荐使用)
一次性锂金属电池	CR123	3V	是(推荐使用)
可充电锂离子电池	RCR123	3.7V	是(可以使用)

亮度&时间

白光 超亮	白光 高亮	白光 中亮	白光 低亮	白光 超低亮	紫外光	红光	绿光	蓝光	警示 红蓝闪	暴闪	SOS	信标
440流明	280流明	160流明	25流明	1流明	—	1.8流明	3.8流明	0.7流明	—	440流明	440流明	440流明
1小时 45分钟	3小时 30分钟	7小时	43小时	400小时	4小时	65小时	73小时	82小时	90小时	—	—	—
190米	132米	99米	42米	10米	—	4米	8米	1.8米	—	—	—	—
900坎德拉	430坎德拉	245坎德拉	46坎德拉	2坎德拉	—	4坎德拉	15坎德拉	0.5坎德拉	—	—	—	—
1米(防跌落高度)												
IPX8,水下2米(防水等级)												

注:

以上数据按照国际手电筒测量标准ANSI/NEMA FL1所述之测量方法,使用1节18650锂电池(3.7V 2600mAh)测试所得,不同电池或使用环境可能会对以上数据产生影响。

使用电筒

装入/拆卸电池

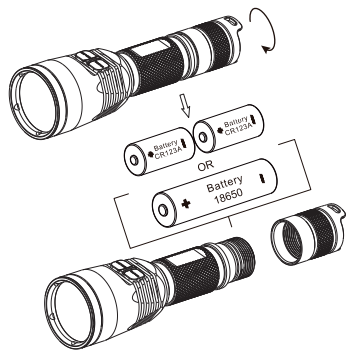
如图所示,拧开电池盖后,装入/拆卸电池并拧紧电池盖。

警告

1. 请将电池按照正极朝灯头方向放入,反装电池电筒将不能工作。
2. 不能将光线直接照射眼睛,以免对眼睛造成伤害。

战术点亮

轻按尾部开关,电筒会开启,松手电筒熄灭。



长时间开启/关闭手电筒

开启手电筒:按下尾部按钮开关,直到有“嗒”的一声后松手,手电筒开启。
关闭手电筒:再次按下尾部按钮开关,直到有“嗒”的一声后松手,手电筒关闭。

亮度调节

小提示:

本产品采用并排两个侧键按钮(白光按键和紫外线按键)分别独立控制两个主灯和其他多种功能。

在电筒开启状态下,每按一次白光调档按钮(WHITE),电筒亮度将按照“超低亮-低亮-中亮-高亮-超高亮”循环改变亮度并记忆;

在电筒开启状态下,每按一次紫外线按钮(COLOR),电筒亮度将按照“紫外线-红光-绿光-蓝光”循环改变亮度并记忆。

即时开启所需高亮光源:

在电筒关闭状态下,当按着白光调档按钮(WHITE)或紫外线按钮(COLOR)保持不放,按下尾部开关,电筒将随之进入所需的白光超高亮档或紫外线状态。这方便用户在忘记上次电筒所记忆光源的紧急情况下,按照不同的环境立即开启所需的光源。

注:当使用两节CR123电池时,电筒会在开启超高亮档20分钟后自动降低亮度输出以防止过热,并有效地保障电池的使用寿命。

警告:请勿将紫外线直接照射眼睛或皮肤,以避免损害。

使用特殊档位(暴闪/SOS功能/信标/警示红蓝闪)

在电筒开启状态下,长按白光调档按钮(WHITE)超过一秒,电筒将会开启暴闪,如果需要选择更多的特殊档位,只需要长按调档按钮超过一秒即可在“信标-SOS功能-暴闪”顺序切换;

在电筒开启状态下,长按紫外线按钮(COLOR)超过一秒,电筒将会开启警示红蓝闪,如果需要退出特殊档位,只需按一下调档按钮。

注:电筒在使用特殊档位时,只有暴闪具有自动记忆功能。

电量提示

当手电筒开启,并且电池电量剩余将近一半时,位于调档按钮的蓝色电量指示灯将每2秒闪烁1次提示用户;

当手电筒开启,并且电池电量将近耗尽时,位于调档按钮的蓝色电量指示灯将连续快速闪烁提示用户。

更换电池

当电池电量不足,位于调档按钮的蓝色电量指示灯将连续快速闪烁,电筒甚至会出现亮度变暗或者无法调光的情况。此时,应对电筒进行更换电池。

保养电筒

请每半年使用软布清洁电筒的螺牙,并使用硅润滑油润滑螺牙。

注意事项

请根据适用的当地法律和法规处置设备/电池。

保固

NITECORE®产品拥有售后保固服务。在购买本产品的14天内,如果有任何质量问题均可向经销商要求免费更换。在购买本产品的18个月内享受免费保固服务。在超过18个月免费保固期后,本产品享有终身有限度保固服务,如需要更换重要部件则需收取成本费用。

本保固规则不适用于以下情况:

1. 人为破坏,拆解,改装本产品。
2. 错误操作导致产品损坏(如装反电池等)。
3. 电池漏液导致产品损坏。

如对奈特科尔产品有任何疑问,欢迎联系当地的代理商或发邮件到4008869828@nitecore.cn

备注:产品数据如有更新,敬请以奈特科尔官方网站为准。



广州希脉创新科技有限公司

咨询热线:+86-20-83862000

销售邮箱:info@nitecore.com

网址:www.nitecore.cn

地址:广东省广州市天河区高普路1021号5楼6355号

邮编:510653

更多信息请关注新浪微博:
NITECORE奈特科尔

Features

- Featuring five individual light sources: two main LEDs plus secondary red, green and blue LEDs.
- Five selectable modes of output (red, green, blue, white and ultraviolet)
- Dual side switches offer convenient control of color modes
- Purpose-designed for hunting, police investigation, forensics and identification applications
- White Cree XP-G2 (R5) LED provides a maximum output of up to 440 lumens
- Ultraviolet LED provides 3000mW at 365nm
- Maximum runtime of up to 400 hours on lowest mode of output
- Integrated "Precision Digital Optics Technology" and Second generation of 'Crystal Coating Technology' provides extreme reflector performance
- Equipped with a unique multi-colored (red, green and blue) signaling mode
- Dual side switches control white and colored LEDs independently
- Side switch features integrated power indicator light for displaying remaining battery power
- Instant-On functionality: enter turbo mode directly
- Physical reverse polarity protection mechanism (patented)
- Stainless steel titanium-plated clip
- Stainless steel retaining ring protects the core components from damage
- Toughened ultra-clear mineral glass with anti-reflective coating
- Constructed from aero-grade aluminum alloy
- HAIII military grade hard-anodized finish
- Waterproof in accordance with IPX8 (two meters submersible)
- Impact resistant to 1 meter
- Tail stand capability

Dimensions

Length: 143mm (5.63")
 Head Diameter: 40mm (1.57")
 Tail Diameter: 25.4mm (1")
 Weight: 138grams (4.87oz) (without battery)

Accessories

Quality holster, clip, tactical ring, lanyard, spare tail cap, spare O-ring

Optional accessories

Remote switch (RSW1), Gun Mount (GM02, GM03, GM04)

Battery Options

	SIZE	Nominal voltage	Compatible
Primary Lithium battery	CR123	3V	Y (Recommended)
18650 Rechargeable Li-ion battery	18650	3.7V	Y (Recommended)
Rechargeable Li-ion battery	RCR123	3.7V	Y

Brightness & Runtime

FL1 STANDARD	White Light TURBO	White Light HIGH	White Light MID	White Light LOW	White Light LOWEST	UV	RED	GREEN	BLUE	POLICE WARNING SIGNAL	STROBE	SOS	BEACON
	440 LUMENS	280 LUMENS	160 LUMENS	25 LUMENS	1 LUMEN	—	1.8 LUMENS	3.8 LUMENS	0.7 LUMEN	—	440 LUMENS	440 LUMENS	440 LUMENS
	1h45min	3h30min	7h	43h	400h	4h	65h	73h	82h	90h	—	—	—
	190m	132m	99m	42m	10m	—	4m	8m	1.8m	—	—	—	—
	9000cd	4360cd	2450cd	460cd	28cd	—	4cd	18cd	0.8cd	—	—	—	—
	1m (Impact Resistant)												
	IPX8, 2m (Waterproof AND Submersible)												

NOTICE

The above data has been measured in accordance with the international flashlight testing standards ANSI/NEMA FL1 using one x 3.7V 2600mAh 18650 battery under laboratory conditions. The data may vary slightly during real-world use due to battery type, individual usage habits and environmental factors.

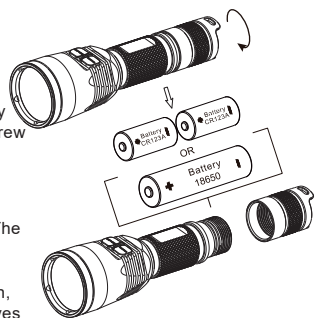
Operation Instructions

Battery Installation / Removal

As illustrated, after unscrewing the battery cap, insert / remove the battery(s) and screw to tighten the tail cap.

WARNING

1. Ensure batteries are inserted with the positive (+) end pointing to the head. The Chameleon will not operate with incorrectly inserted batteries.
2. Ensure when turning the Chameleon on, the beam is directed a way from the eyes of people or animals.



Momentary Illumination

Momentary illumination can be achieved by switching off the flashlight and then half pressing and holding the tail switch. Simply release the switch to turn the light off.

Switching ON/OFF

To switch ON: Press the button on the tailcap until a "click" is heard.
 To switch OFF: Press the button on the tailcap a second time until a "click" is heard.

Brightness Selection

Tips: Two side switches control the two main LEDs as well as strobe / beacon / SOS modes.

With the light turned on at the tailcap, press the left (white) switch repeatedly to cycle through the following WHITE LED brightness levels: ultra-low, low, medium, high and turbo. Once a desired setting is displayed, it will be saved by turning the light off at the tail switch.

With the light turned on at the tailcap, press the right (color) switch repeatedly to cycle through the following COLORED LED brightness levels: Ultraviolet Mode -> secondary red -> secondary green -> secondary blue. Once a desired setting is displayed, it will be saved by turning the light off at the tail switch.

Instant Turbo / Instant Ultraviolet Mode

With the light turned off, press and hold a side switch and then press the tail switch to go directly to Turbo Mode or Ultraviolet Mode (left switch for turbo white and right switch for ultraviolet). This function is designed to provide instant access to the either the highest output of white light or ultraviolet mode.

NOTE: When using two CR123A batteries in turbo mode, output will automatically reduce after 20 minutes of use to prevent overheating.

Warning: Avoid exposing the eyes or skin of people or animals to ultraviolet light.

Special Modes

With the light turned on, press and hold the left (white) switch to activate Strobe mode. Press and hold in succession to cycle: Location Beacon, SOS, Strobe mode.

With the light turned on, press and hold the right switch (colored) all the way down for more than 1 second to active police warning signal. Press the switch again to turn this mode off.

NOTE: Among all special modes, only strobe mode can be saved.

Power Tips

1. With the light switched on, the blue power indicator will blink once every two seconds when power levels reach 50%.
2. With the light switched on, the blue power indicator will blink rapidly when power levels are low.

Changing Batteries

When the power indicator blinks rapidly this indicates the batteries need to be replaced. Alternatively if the light becomes dim or unresponsive to adjustment this also indicates batteries need to be replaced.

Maintenance

Every 6 months, threads should be wiped with a clean cloth followed by a thin coating of silicon-based lubricant.

Warnings

Dispose of the device/batteries in accordance with applicable local laws and regulations.

Warranty Service

All NITECORE® products are warranted for quality. DOA / defective products can be exchanged for replacement through a local distributor/dealer within the 14 days of purchase. After 14 days, all defective / malfunctioning NITECORE® products will be repaired free of charge for a period of 18 months from the date of purchase. After 18 months, a limited warranty applies, covering the cost of labor and maintenance, but not the cost of accessories or replacement parts. The warranty is nullified in all of the following situations:

1. The product(s) is/are broken down, reconstructed and/or modified by unauthorized parties.
2. The product(s) is/are damaged through improper use.
3. The product(s) is/are damaged by leakage of batteries.

For the latest information on NITECORE® products and services, please contact your national NITECORE® distributor or send an email to service@nitecore.com

The Nitecore official website shall prevail in case of any product data changes.

Please follow our facebook for more info: NITECORE Flashlight

SYSMAX Innovations Co., Ltd.

TEL: +86-20-83862000
 FAX: +86-20-83882723
 E-mail: info@nitecore.com
 Web: www.nitecore.com
 Address: Unit 6355, 5/F, No. 1021 Gaopu Road, Tianhe District, Guangzhou, 510653, Guangdong, China

